

BED系列隔爆型电力液压推动器

BED series explosion-proof electric hydraulic thrusters

应用: BEd隔爆型电力液压推动器是我公司独家引进德国EMG公司的产品,其主要用途是作为电力液压块式制动器的驱动装置,也可通过杠杆机完成往复式、圆周、摆动等形式的快速运动,适用于起重、运输、冶金、矿山、港口、建筑等行业。其隔爆型性能符合GB3836.2-2000《爆炸性环境用防爆电气设备、隔爆型电气设备“d”》的规定,防爆标志为“dI”“dIICt4”,分别用于煤矿井下及IIA、IIB、IIC(I类、A级II类、B级II类、C级II类)温度组别为T1-T4可燃气体或蒸汽与空气形成的爆炸性混合物场所。

Application:

BEd flameproof electric hydraulic pusher is EMG's exclusive introduction of the German company's products, its main use is as an electro-hydraulic block brake drive, can also be done to the mechanical lever machine complex, circular, swinging and other forms of rapid movement for lifting, transportation, metallurgy, mining, ports, construction and other industries. The explosion-proof performance in line with GB3836.2-2000 "explosive environment with explosion-proof electrical equipment, explosion-proof electrical equipment "d" requirement, proof mark for the "d I" "d IICt4", respectively, for the coal mine and IIA, IIB, IIC (I class, A class II grade, B grade II class, C class II) temperature groups T1-T4 flammable gases or vapors form explosive mixtures with air spaces.

使用条件

Operating conditions

- 海拔高度不超过1000m。
- 环境温度为一20℃~40℃。
- 安装地点最湿月的月平均最大相对湿度不超过90%,同时该月的平均最低温度不低于25℃,允许由于温度变化发生在产品表面的凝露。
- 周围环境的污染等级允许为3级。
- 电源为三相交流127V/220V、380V/660V、660V/1140V、50Hz(60Hz)。

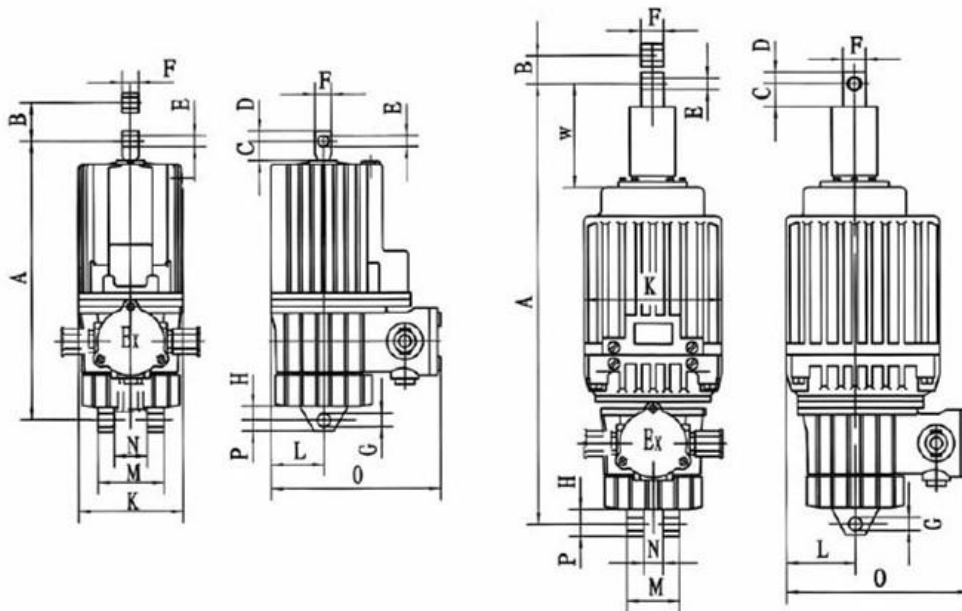
- Altitude less than 1000m.
- Ambient temperature -20℃ ~ 40℃.
- Installation site the wettest month of the monthly average maximum relative humidity of not more than 90%, while the average minimum temperature for the month of not less than 25℃, allowing for temperature changes in the surface of the condensation product.
- Ambient pollution levels to allow for the 3.
- Three-phase AC power supply 127V/220V, 380V/660V, 660V/1140V, 50Hz (60Hz).

BEd系列推动器技术参数 BEd series to promote the Technical Parameters

型号 Type	额定推力 Rated thrust (N)	额定行程 Rated travel (mm)	额定电压 Rated voltage (V)	额定电流 Rated current (A)	功率 Power(W)		额定弹力 Rated spring force(N)	工作频率 Frequency (Hz)	动作时间 Action time(s)		重量 Weight(kg)	
					dI	dIICt4			dI	dIICt4	dI	dIICt4
短行程推动器 Short stroke thrusters												
BEd30/5	300	50	380	0.43	180	180	270	1500	0.37	0.36	32	27
BEd50/6	500	60	380	1.2	240	275	460	1500	0.62	0.61	47	37
BEd80/6	800	60	380	1.2	290	280	750	1500	0.5	0.49	48	38
BEd121/6	1250	60	380	1.3	365	310	1200	1500	0.58	0.54	68	50
BEd201/6	2000	60	380	1.3	375	385	1900	1500	0.57	0.46	68	50
BEd301/6	3000	60	380	1.3	445	470	2700	1500	0.74	0.44	70	50
长行程推动器 Long stroke thrusters												
BEd50/12	500	120	380	1.2	240	275	---	900	1.02	0.72	57	40
BEd80/12	800	120	380	1.2	290	280	---	900	0.83	0.65	58	41
BEd121/12	1250	120	380	1.3	365	310	---	900	0.99	0.81	68	50
BEd201/12	2000	120	380	1.3	375	385	---	900	1.10	0.65	68	50
BEd301/12	3000	120	380	1.3	445	470	---	900	1.31	0.64	70	52

注:具体型号、结构外形的尺寸保留更改的权利。

Note: Our company reserves the rights to change the actual type and overall dimensions of the structure.

BEd系列外形尺寸
BEd Series Dimensions

BEd系列推动器外形尺寸 *BEd series to promote the device dimensions*

单位: (mm)

型号 Type	A	B	C	D	E	F	G	H	K	L	M	N	O	P	Q	R	S	T	U	V	W
BEd30/5	410	50	34	15	16	25	16	18	160	80	80	40	270	16	85	55	75	98	20	15	
BEd50/6	490	80	36	18	20	30	20	23	190	95	120	60	285	20	85	55	75	100	22	15	
BEd80/6	490	80	36	18	20	30	20	23	190	95	120	60	285	20	85	55	75	100	22	15	
BEd50/12	570	120	36	18	20	30	20	23	190	95	120	60	285	20							
BEd80/12	570	120	36	18	20	30	20	23	190	95	120	60	285	20							
BEd121/6	690	80	38	25	25	40	25	35	240	112	90	40	324	25	130	80	120	147	35	20	130
BEd201/6	690	80	38	25	25	40	25	35	240	112	90	40	324	25	130	80	120	147	35	20	130
BEd301/6	690	80	38	25	25	40	25	35	240	112	90	40	324	25	130	80	120	147	35	20	130
BEd121/12	750	120	38	25	25	40	25	35	240	112	90	40	324	25							190
BEd201/12	750	120	38	25	25	40	25	35	240	112	90	40	324	25							190
BEd301/12	750	120	38	25	25	40	25	35	240	112	90	40	324	25							190

注: 具体型号、结构外形的尺寸保留更改的权利。

Note: Our company reserves the rights to change the actual type and overall dimensions of the structure.